

product name

CE GS Certificated Round 12W Decorative LED Ceiling light

product desc

CE GS Certificated Round 12W Decorative LED Ceiling light

Decorative Ceiling light features:

- 1.High efficiency,save more than half energy than traditional lights;
- 2.Constant current drive,no flicker, no electromagnetic rad
- 3.Long lifespan:35,000 hrs,low lumens decline
- 4.Functional option: Dimmable / CCT tunable/ Acoustic & Light Sensor / Microwave Sensor

Decorative Ceiling light technical

parameter:

Assembled Width (mm)	
Assembled Height (mm)	82mm
Light Color	3000K,4000K,5
Light Source	LED
Number of Bulbs Required	non
Returnable	90-Day

Decorative Ceiling light

application:

Widely applied to

household,office,hotel,school,hospital and other places needing energy saving and longtime lighting.

- 1.Instead of the indoors ceiling light
- 2.School/Universities/Hospital
- 3.Conference/Meeting room, Show room
- 4.Commercial Complexes

5. Factories/Offices

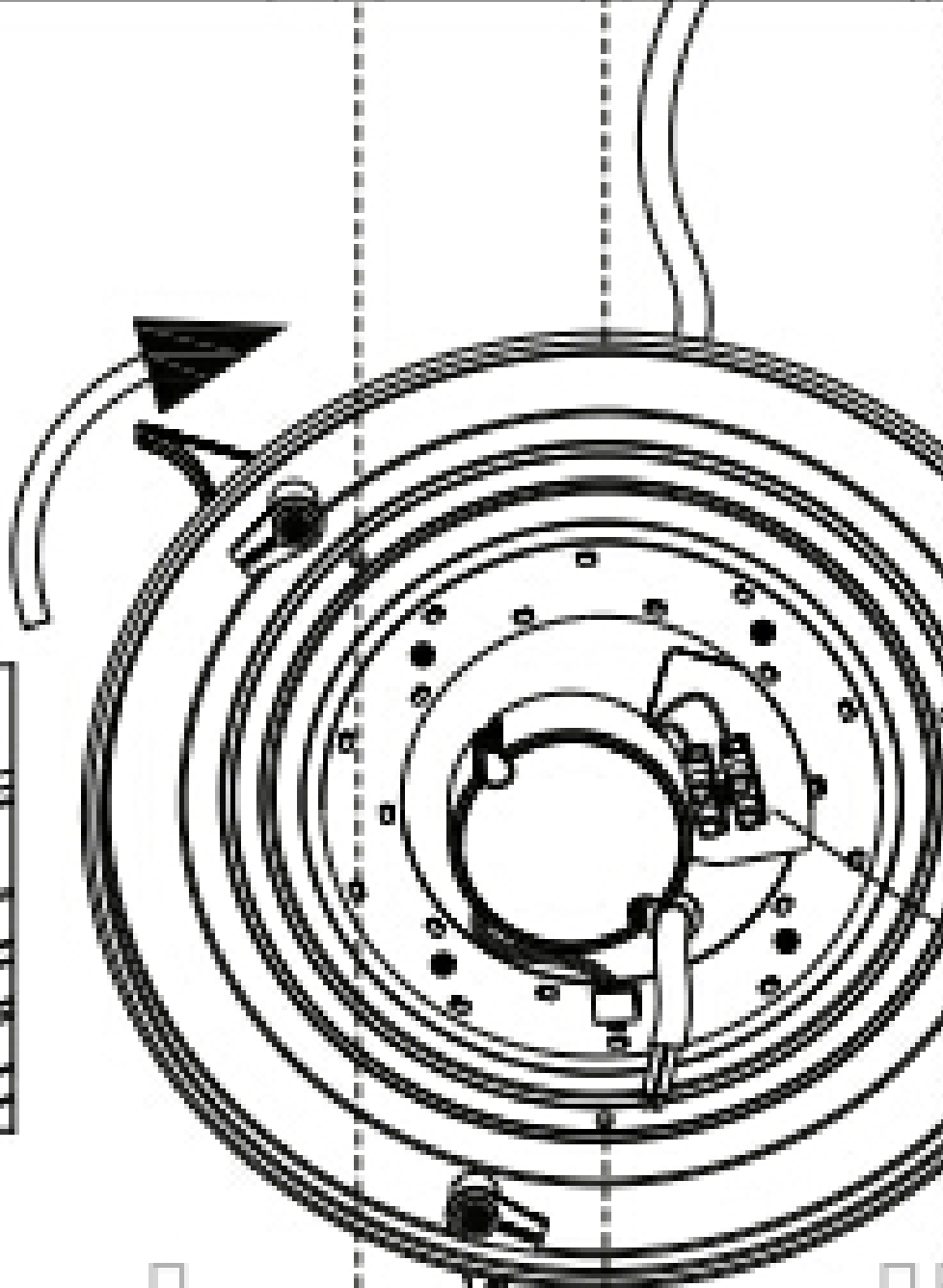
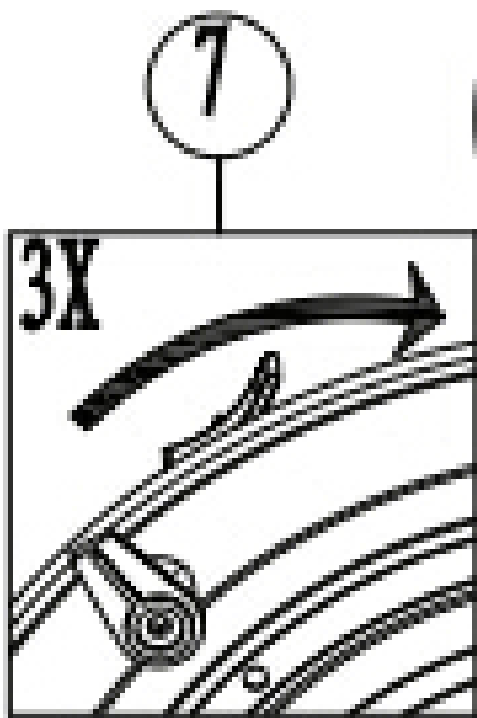
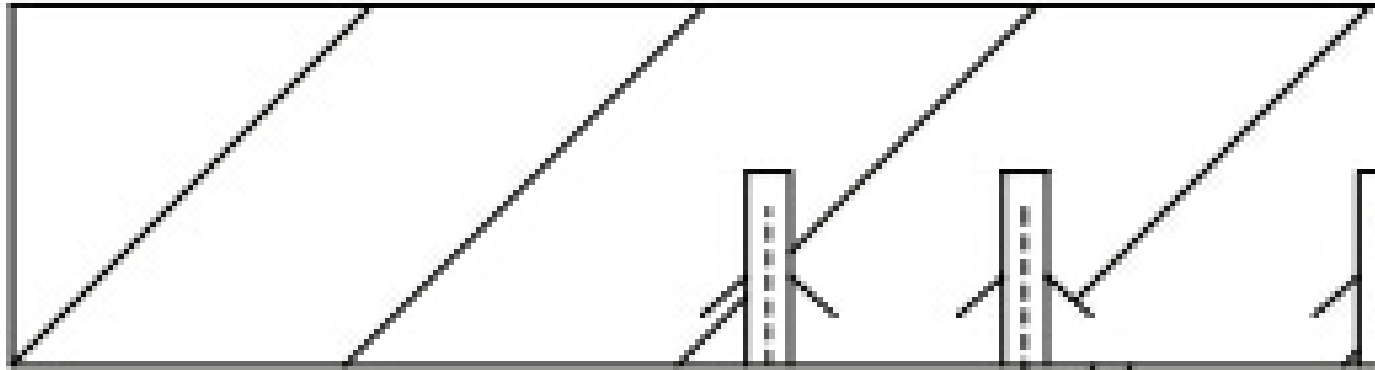
6. Super-markets

7. Residential/Institution buildings



Decorative Ceiling light assembly:

Surface mounted on ceiling floor with three screw nails first, then cover the mask, easy to disconnect



gpelec.en.al



Decorative Ceiling light Package:



Why GOPRO



Established in 1994, Xiamen Guangpu Electronics Co., Ltd. is one of the earliest LED factories in

China, with 21 years' experience in LED encapsulation and development, manufacture and sales of its application

products, like ceiling lamps.

Our company passed ISO9001:2008, UL, TS16949 quality system and all products comply with EU RoHS and WEEE

standard. Excellent quality and high reputation makes us to be the good supplier of international renowned enterprises

and attracts good business partners.

Our products have been exported to South-East Asia, Japan, Europe and America and are very popular among these areas.

1. 21 years experience on LED manufacturing
2. Establish long term stable cooperation with many renowned enterprises
3. Professional technology team, more than 200 R&D personnels
4. Self-reliant in LED light source
5. Strict procedure quality supervising and burn-in period
6. Complete Quality Control System
7. Good after-sales service