

product name

High Quality CE Approval Square Decorative 12W LED Ceiling Lamp

product desc

Light Source: LED

Item Type: Ceiling Lights

LED Light Source: Epistar SMD 2835

Install Style: Surface Mounted

Input Voltage(V): 100-240Vac

Lamp Power(W): 12

Lamp Luminous Flux(lm): 720

Lamp Luminous Efficiency(lm/w): 70

CRI (Ra>): 80

Color Temperature(CCT): 3000K,4000K,5700K

Working Temperature(?): -20 - +40

Working Lifetime(Hour): 35000

Lamp Body Material: Iron+ps

IP Rating: IP44

Certification: CE, RoHS

Place of Origin: Fujian, China (Mainland)

Brand Name: GOPRO

Model Number: GPX233121X

Product name: Decorative LED ceiling light

Dimension: 330x330x90 mm

PF: 0.5

Decorative ring color: Optional

Beam angle: 120 degree

Certificate: CE,RoHS and ERP 6000hrs

Equivalent power: 24W

Storage temp.: -45-60?

Working Environment: Indoor

Decorative LED ceiling light sample: Accept

- [Product Detail](#)
- [Transaction History \(\)](#)

[Report Suspicious Activity](#)

Quick Details

- Light Source: LED
- Item Type: Ceiling Lights
- LED Light Source: Epistar SMD 2835

- Install Style: Surface Mounted
- Input Voltage(V): 100-240Vac
- Lamp Power(W): 12
- Lamp Luminous Flux(lm): 720
- Lamp Luminous Efficiency(lm/w): 70
- CRI (Ra>): 80
- Color Temperature(CCT): 3000K,4000K,5700K
- Working Temperature(?): -20 - +40
- Working Lifetime(Hour): 35000
- Lamp Body Material: Iron+ps
- IP Rating: IP44
- Certification: CE, RoHS
- Place of Origin: Fujian, China (Mainland)
- Brand Name: GOPRO
- Model Number: GPX233121X
- Product name: Decorative LED ceiling light
- Dimension: 330x330x90 mm
- PF: 0.5
- Decorative ring color: Optional
- Beam angle: 120 degree
- Certificate: CE,RoHs and ERP 6000hrs
- Equivalent power: 24W
- Storage temp.: -45-60?
- Working Environment: Indoor
- Decoratice LED ceiling light sample: Accept

Packaging & Delivery

Packaging Details:

Ceiling lamp package: 5pcs/ctn 405*530*390mm

Delivery Detail:

5-7 weeks

High Quality CE Approval Square Docarative 12W LED Ceiling Lamp

Decorative Ceiling lamp features:

- 1.High efficiency,save more than half energy than traditional lights;
- 2.Constant current drive,no flicker, no electromagnetic rad
- 3.Long lifespan:35,000 hrs,low lumens decline
- 4.Functional option: Dimmable / CCT tunable/ Acoustic & Light Sensor / Microwave Sensor

Decorative Ceiling lamp technical parameter:

Assembled Width (mm)

Assembled Height (mm) 90mm

Light Color 3000K,4000K,5

Light Source LED

Number of Bulbs Required non

Decorative Ceiling lamp

application:

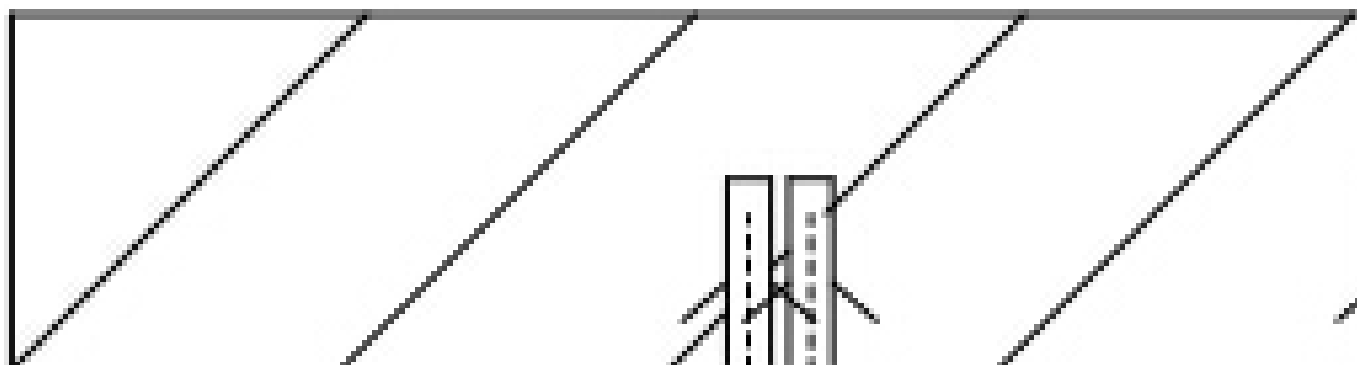
Widely applied to household, office, hotel, school, hospital and other places needing energy saving and longtime lighting.

1. Instead of the indoors ceiling light
2. School/Universities/Hospital
3. Conference/Meeting room, Show room
4. Commercial Complexes
5. Factories/Offices
6. Super-markets
7. Residential/Institution buildings

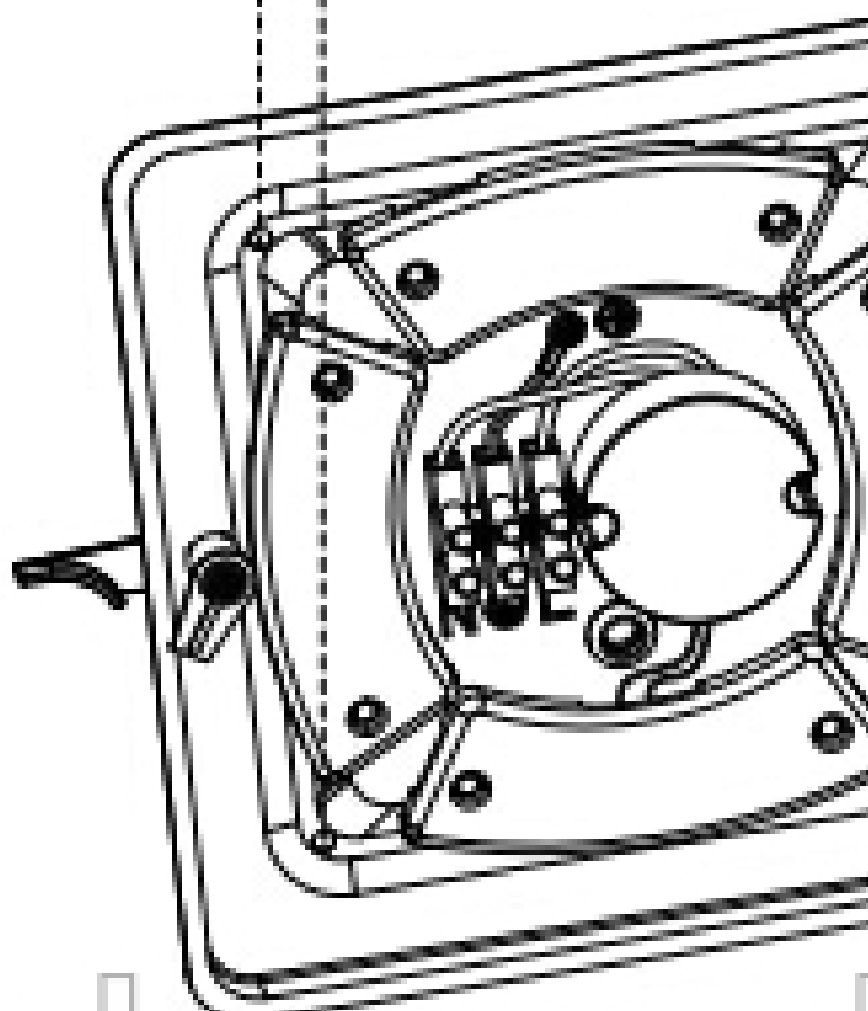
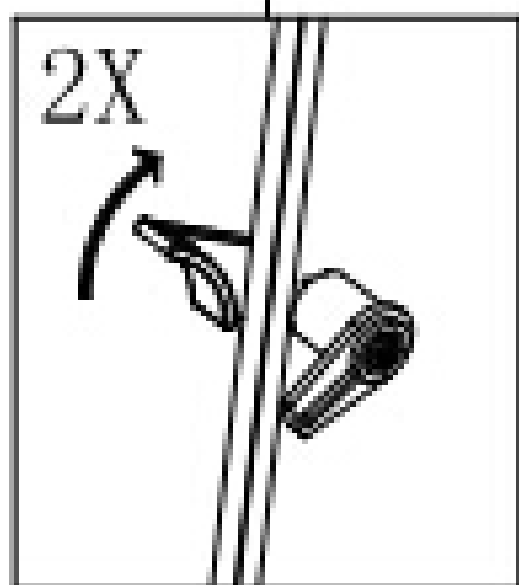


Decorative Ceiling lamp assembly:

Surface mounted on ceiling floor with three screw nails first, then cover the mask, easy to disconnect



6



gpelec.en.al

